

Sienna Rattan Bed Assembly Instructions

Pre-assembly Preparation

Please read these instructions fully prior to assembly to familiarise yourself with the various stages of construction. Carefully open all packs supplied and check the contents against the parts and fittings check list.

Do not destroy any of the packaging until you are certain that you have all the necessary parts for the assembly.

This product is **HEAVY**, it should be assembled as near as possible to the point of use.

Take care when lifting to avoid personal injury and (or) damage to the product.

There are small components used in the construction of this bed as well as plastic foil packaging, these should be kept away from young children whilst assembling your bed.

This product requires a minimum of 2 people to assemble.

Product Safety

All assembly fastenings should always be tightened properly and care should be taken to ensure that no fittings are loose.

Periodically check and ensure that all components are in their proper position, free from damage, and that all connectors are tight.

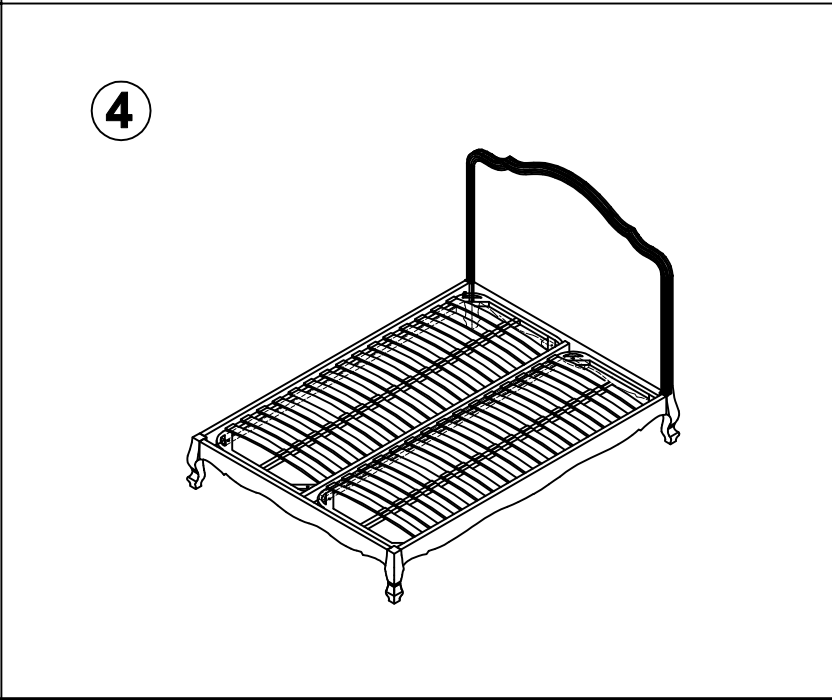
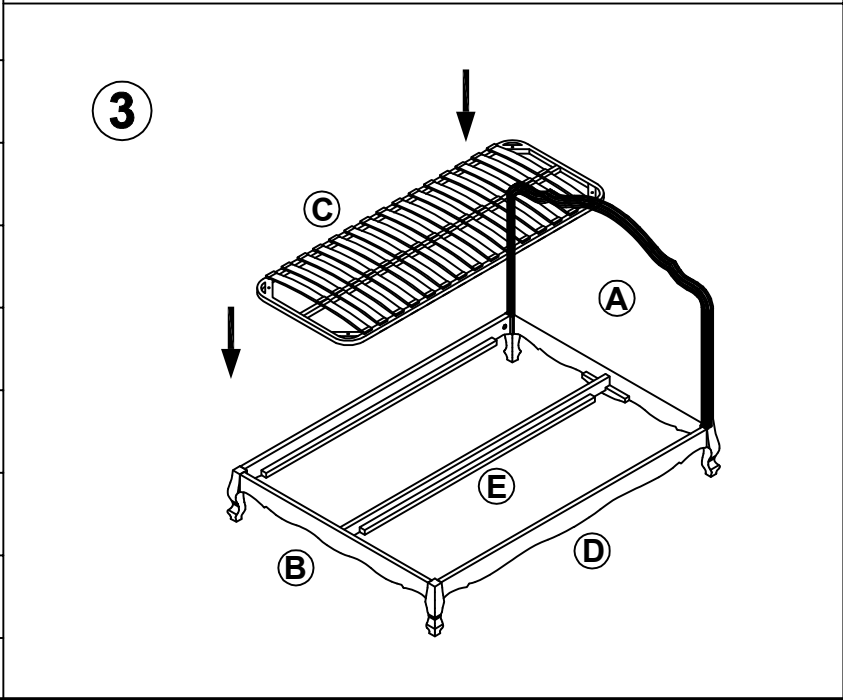
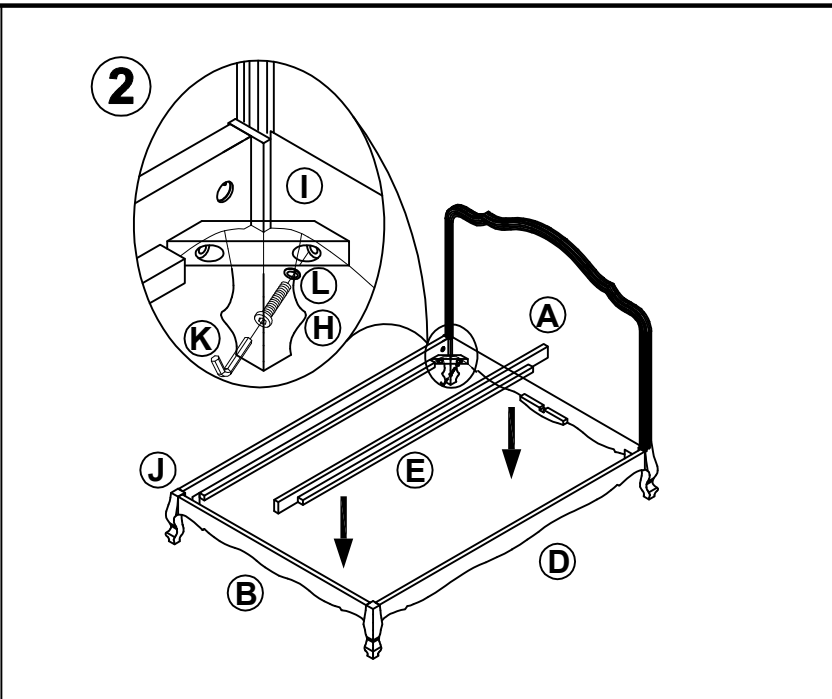
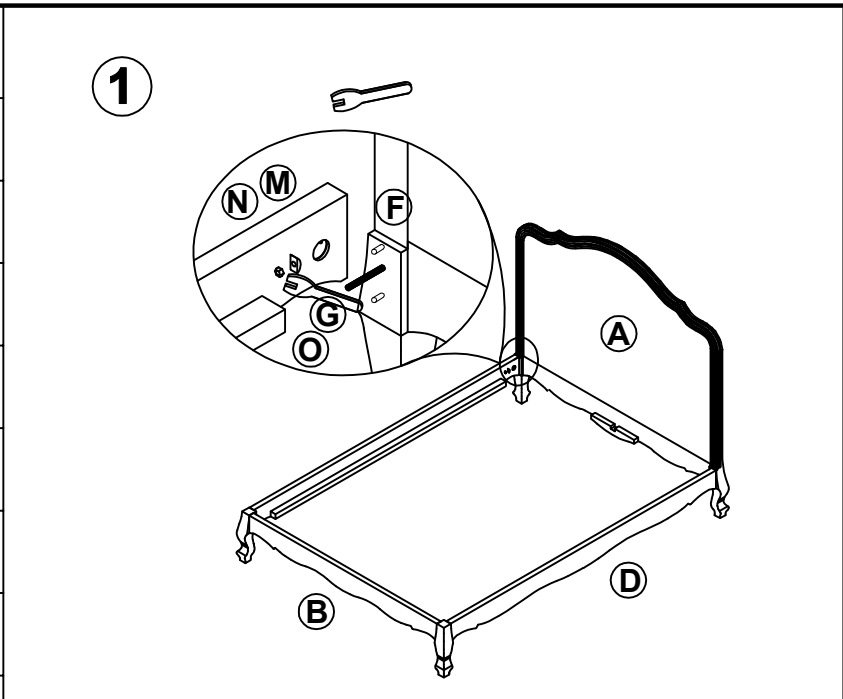
Once the bed is assembled, do not sit, stand or apply weight directly to the slats unless mattress is in place.

Product Care

The fabric is dry clean and spot clean only.

Do not use abrasives or cleaning products which may contain ammonia or solvents

	PARTS	Q'TY
A		1PC
B		1PC
C		2PCS
D		2PCS
E		1PC
F		8PCS
G		4PCS
H		8PCS
I		2PCS
J		2PCS
K		1PCS
L		8PCS
M		4PCS
N		4PCS
O		1PC



DO NOT MOVE THE BED IF WITHOUT SLATS